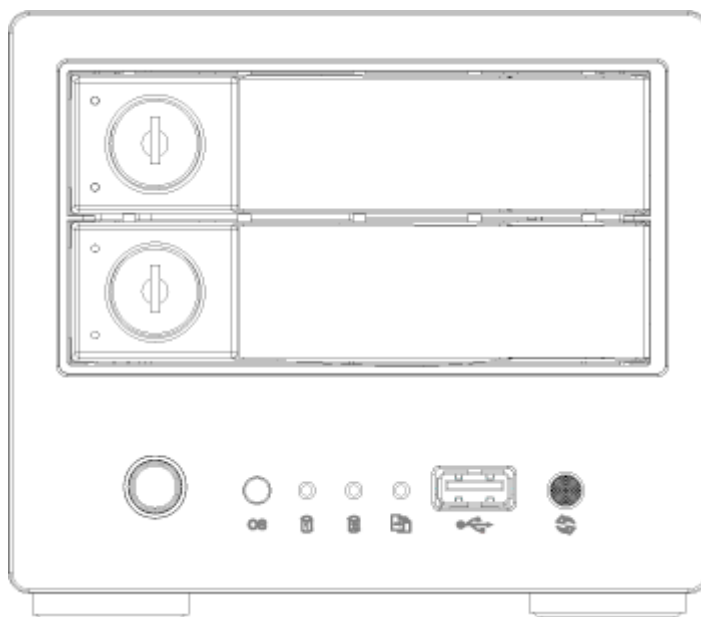


MyCloud Pro


The MyCloud Pro is designed for two desktop 3.5" SATA hard drives. It provides safe and secure network storage plus the ability to easily share your digital content with family and friends. Stream content within your local network to any available UPnP-AV and DLNA device (e.g. PS3, iTunes, Windows 7, etc.). Remotely access your files through any internet connected computer or through our free iPhone, iPad and Android apps.

CPU	<ul style="list-style-type: none"> Intel Atom processor D525 (Dual-core 1.8GHz, 1MB Cache)
Memory	<ul style="list-style-type: none"> 1GB DDR3-800 SODIMM
Internal hard drive(s)	<ul style="list-style-type: none"> 3.5" SATA-I, SATA-II or SATA-III hard drives Capacity 80GB - 6TB per HDD (supports large volumes in excess of 2TB) XFS file system
Front I/O	<ul style="list-style-type: none"> 2 x HDD LEDs per tray (power & data access) 1 x Power button 1 x System LED 2 x HDD LEDs (data access) 1 x Backup LED 1 x Backup button 1 x USB 2.0 host connector
Rear I/O	<ul style="list-style-type: none"> 1 x Power receptacle 1 x RJ45 connector (10/100/1000) with two LEDs for link and activity 2 x USB 3.0 host connector 1 x Reset button

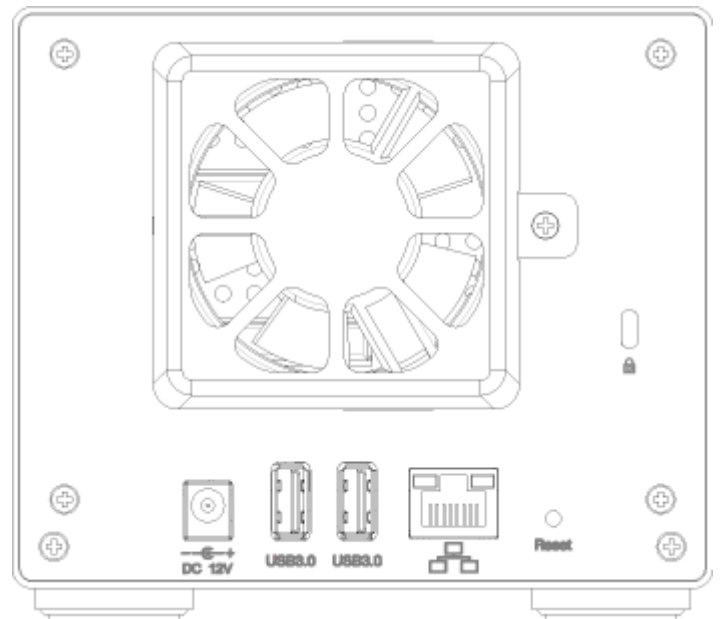
Front View





HDD LED	
Blue	Power ON
Flashing orange	Data access
Front Panel	
	Power switch (blue when turned on)
OS	<ul style="list-style-type: none"> • Green = System ready • Flashing green = System is starting up • Flashing orange = System is shutting down
	Flashing orange = Data access
	<ul style="list-style-type: none"> • Orange = USB drive connected (front port only) • Flashing orange = File copy from USB drive to NAS (front port only)
	USB 2.0 host port
	USB copy button

 **Press and hold the copy button for one second** to copy the files from the USB drive on the front port to the **PUBLIC** folder on the network drive.

Rear View



DC 12V	Power receptacle (DC +12V/5A)
	USB 3.0 host port
	Gigabit Ethernet port
Reset	System reset button

To reset the configurations (e.g. admin password and network settings), make sure the power is ON and the system is running. **Press and hold the reset button for 5-10 seconds** and then release it. Wait until the system LED stops flashing before attempting to login again.



To reset the device back to factory default, **press and hold the reset button for 12 seconds** and then release it. After the reset, it will be necessary to [manually mount the HOME and SWAP partition](#). Also, even though the private files of the other users can still be accessed by the admin, it will be necessary to recreate the previous user accounts before the users can login again and access their existing data.



The fan starts when the CPU temperature reaches 70°C or the disk temperature reaches 55°C. It stops when the temperature of both the CPU and the disk drops below 45°C.

Power ON/OFF Procedure

Connect the power supply to your device first and only then plug it into the wall socket. To turn on the device, press the power switch to start up the system. It takes about 1-2 minutes for the device to go online. The green system LED (OS) indicates when the system is ready.

To safely turn off the device, press the power switch for about 1 second until the system LED (OS) starts flashing. The system then shuts down all services and about 20 seconds later, it will power down.

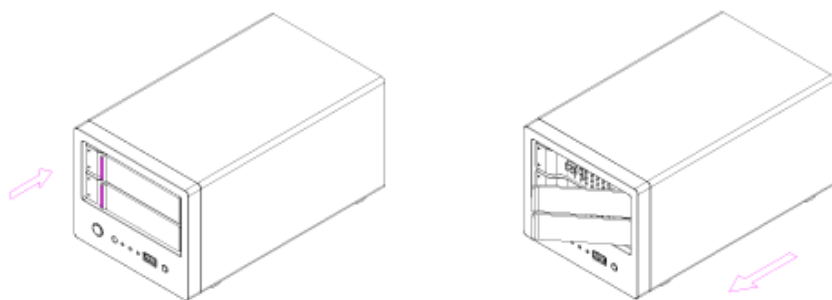
If for some reason the system is unresponsive, press and hold the power switch for 6 seconds to forcefully shut down the system and cut off the power.



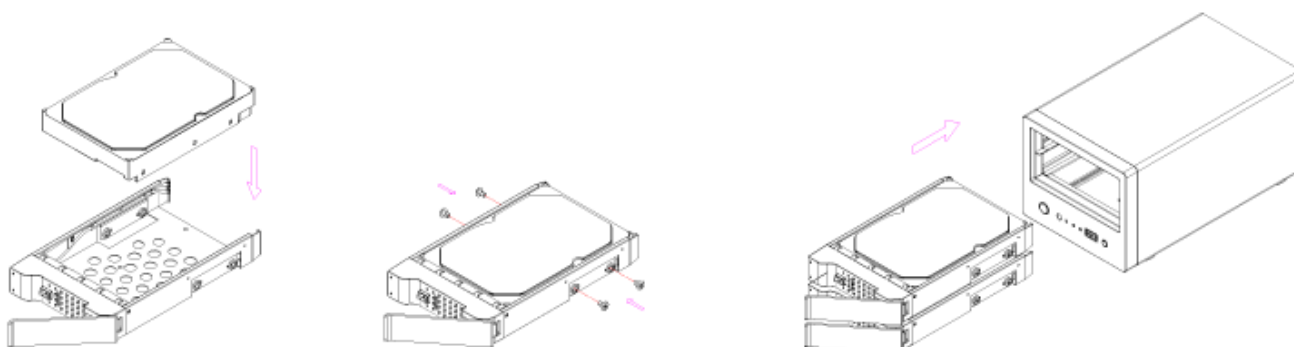
If the device is not in use for long periods of time, we recommend that you turn off the device and remove the power supply from the wall socket.

HDD Installation

Push the protruding left edge of the tray handle in to release the tray and use the handle to pull out the tray.



Install the hard drive, making sure the connector is facing the open side of the bracket. Slide the tray back into the enclosure and push the handle lightly into place.



From: <http://wiki.myakitio.com/> - MyAkitio Wiki

Permanent link: http://wiki.myakitio.com/mycloud_pro

Last update: 2015/03/25 14:02



